



COMMERCIAL REFRIGERATION

www.blueairinc.com | info@blueairinc.com

Toll Free 1.866.677.8500

PROJECT :	
MODEL # :	
ITEM # :	QTY :
AVAILABLE W/H :	
APPROVAL :	

Bottom Mount Reach-In Refrigerator / Freezer

D-SERIES



BSR23 / BSF23

BSR49 / BSF49

BSR72 / BSF72

STANDARD FEATURES

BOTTOM MOUNT COMPRESSOR

THE BOTTOM MOUNT COMPRESSOR PROVIDES QUICK AND EASY MAINTENANCE

STAINLESS STEEL INTERIOR AND EXTERIOR

QUALITY STAINLESS STEEL HELPS MINIMIZE DENTS, SCRATCHES AND RUST

STANDARD REAR WALL AIR GUARD ENSURES PROPER AIR FLOW AND COOLING

EVAPORATOR FAN STOPS AUTOMATICALLY WHEN DOOR IS OPENED

RECESSED DOOR HANDLES

RECESSED DOOR HANDLES HELP PREVENT SHIPPING DAMAGE AND HANDLE BREAKAGE

STANDARD DOOR LOCKS

CFC FREE HIGH DENSITY CELL POLYURETHANE INSULATION

INTERIOR LED LIGHT

DIGITAL TOTAL MONITORING SYSTEM

OFFERS AN AUTOMATIC DOOR ALARM SYSTEM, EASY TEMPERATURE ADJUSTMENT AND A SIMPLE TO CONTROL DEFROST CYCLE

4" DIAMETER SWIVEL CASTERS WITH FRONT BRAKES

ALL MODELS ACCOMMODATE FULL SIZE BUN SHEET PANS

4 SHELVES PER EACH DOOR SECTION WITH 1" ADJUSTABLE SHELVING HEIGHT

SELF-CLOSING AND STAY OPEN DOOR

DOORS REMAIN OPEN AT 120° AND AUTOMATICALLY CLOSE AT 96°

DOOR OPEN WARNING ALARM

FIELD REVERSIBLE DOOR (ADDITIONAL KIT REQUIRED)

BSF23 AND BSR23 MODELS ONLY

ALL MODELS ARE ENERGY STAR RATED



WARRANTY
 3 Years Parts and Labor
 5 Years on Compressor in USA

APPROVALS:

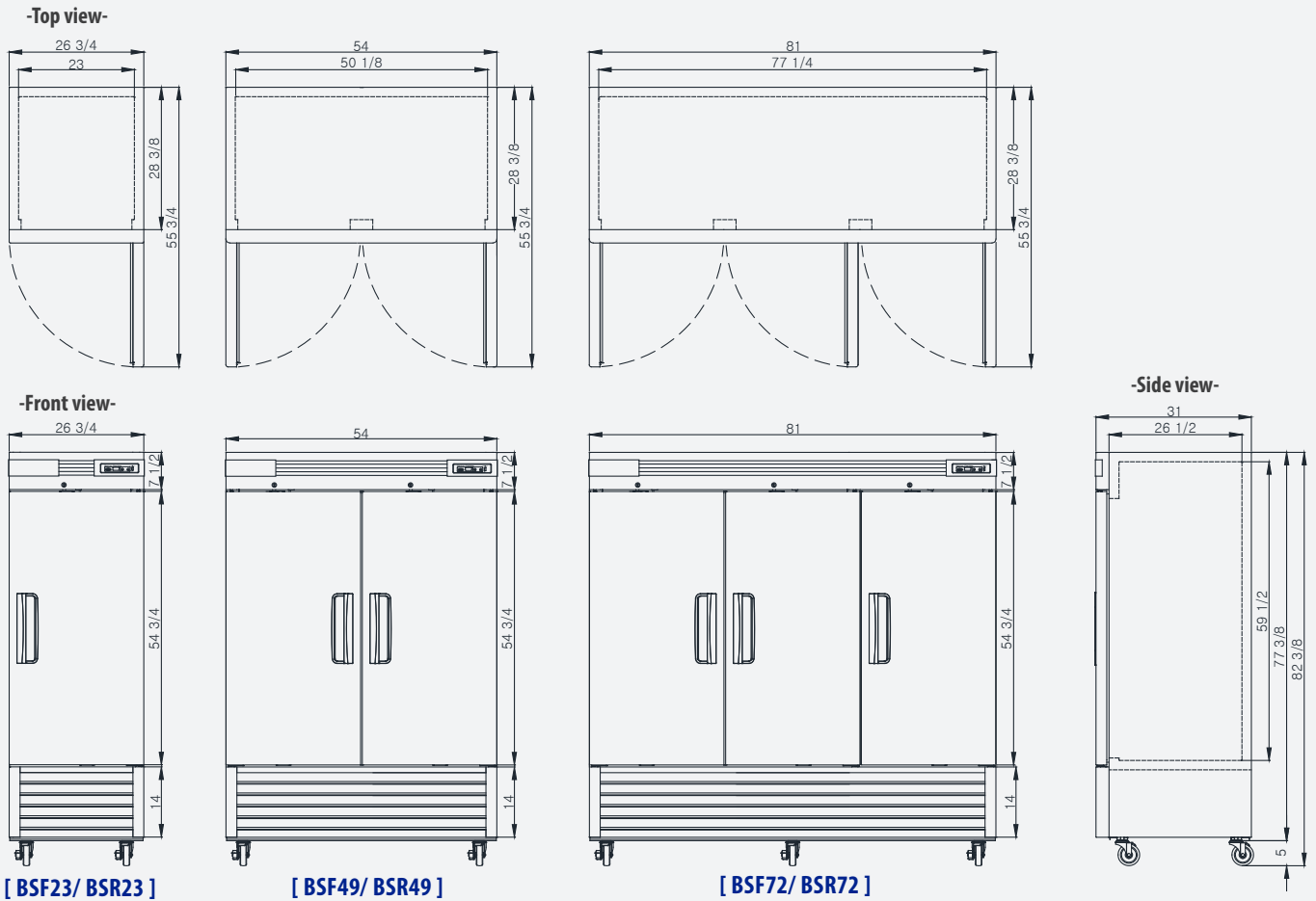
AVAILABLE AT:

VER040117

Bottom Mount Reach-In Refrigerator / Freezer

D-SERIES

Product plan View



Product Specification

Bottom Mount Reach-In Freezer / D-Series

Model	Product Description			Refrigerant	Temperature Range	Easy Maintenance			Cord Length (ft/m)			
	Bottom Mount Freezer			R-404a	-10 ~ 0 °F	Sliding Condensing Unit			9.8ft (3m)			
	Doors	Capacity (Cu. Ft.)	Shelves	Cabinet Dimensions (inches / mm)			HP	Voltage	Amps	NEMA Config.	Net Weight (lbs/kg)	Ship Weight (lbs/kg)
				L	D	H						
BSF23	1	23	4	26 3/4" (681mm)	31" (787mm)	82 3/8" (2100mm)	1/3	115V/60Hz	7	NEMA 5-15	284 (129)	350 (159)
BSF49	2	49	8	54" (1370mm)	31" (787mm)	82 3/8" (2100mm)	3/4	115V/60Hz	11.8	NEMA 5-15	403 (183)	480 (218)
BSF72	3	72	12	81" (2060mm)	31" (787mm)	82 3/8" (2100mm)	1	AC 115V / 208~230V/60Hz	9.2 / 4.7	NEMA 14-20	624 (283)	639 (290)

Bottom Mount Reach-In Refrigerator / D-Series

Model	Product Description			Refrigerant	Temperature Range	Easy Maintenance			Cord Length (ft/m)			
	Bottom Mount Refrigerator			R-134a	33 ~ 38 °F	Sliding Condensing Unit			9.8ft (3m)			
	Doors	Capacity (Cu. Ft.)	Shelves	Cabinet Dimensions (inches / mm)			HP	Voltage	Amps	NEMA Config.	Net Weight (lbs/kg)	Ship Weight (lbs/kg)
				L	D	H						
BSR23	1	23	4	26 3/4" (681mm)	31" (787mm)	82 3/8" (2100mm)	1/3	115V/60Hz	6	NEMA 5-15	271 (123)	300 (136)
BSR49	2	49	8	54" (1370mm)	31" (787mm)	82 3/8" (2100mm)	1/3	115V/60Hz	7	NEMA 5-15	370 (168)	450 (204)
BSR72	3	72	12	81" (2060mm)	31" (787mm)	82 3/8" (2100mm)	3/4	115V/60Hz	10.3	NEMA 5-15	595 (270)	637 (289)

* BLUE AIR has the right to change specifications without further notice.



<http://www.blueairinc.com>
info@blueairinc.com
 Toll Free. 1.866.677.8500

223 W. Rosecrans Ave., Gardena, CA., 90248
 T.310.808.0102, F.310.808.0242

9 W. Shelton Terrace #A, Hillside, NJ., 07205
 T.908.688.0970, F.908.688.8143